

# Figures 7125T-D, 7125T-U

## Tilting Disc Check Valve w/Top Dashpot

Data Sheet 7125T.01

### Description

The VAG/GA Industries Tilting Disc Check Valve features a streamlined design and full flow area for lower full open head loss than conventional swing check valves. Its energy efficient operation is combined with a short 40-degree disc stroke that provides quick closing valve to minimize hammer.

The valve employs offset seating technology to smoothly lift the disc off of the seat during opening and into the seat during closing without binding or sticking.

The top mounted oil dashpot is mechanically attached to the valve disc. Its self-contained hydraulic system controls the valve's opening and closing speed over its full stroke with an independently adjustable final closing speed engaged during the last 10% of closure. Reverse flow occurs during closure which can reduce pressure surge. The top mounted dashpot is recommended when there is likelihood of extremely rapid flow reversal.

### Product Features

- Full port waterway with streamlined flow path
- Stable airfoil shaped disc
- Lead-free bronze, drip tight seating
- Top dashpot with opening speed control and 2-stage closing speed control

### Standard Materials

- Class 125 Body Cast Iron, ASTM A126 Class B
- Class 250 Body Ductile Iron, ASTM A536 Grade 65-45-12
- Disc (6" to 14") Lead Free Bronze, C95400
- Disc (16" to 36") Ductile Iron, ASTM A536 Grade 65-45-12 Ductile Iron,
- Body Seat Ring Lead Free Bronze, C95400
- Disc Seat Ring Lead Free Bronze, C95400
- Pivot Pins Stainless Steel, Type 303
- Pivot Bushings Lead Free Bronze, C95400
- Bottom Buffer Steel and Stainless Steel
- External Fasteners A307 Steel, Zinc Plated

### Corrosion Protection

- Standard: Internal and Carboline 891 NSF-61 Certified 2-Part Epoxy, min. 6 mil DFT



### Approvals & Certifications

- NSF-61 Certified for Contact with Drinking Water
- NSF-372 Certified Lead Free (Max 0.25% Lead Content by Weighted Average)

### Options/Accessories

- Option PI Visual Position Indicator
- Option 1S With Single Honeywell Micro Switch NEMA 1, 2, 4, 6, 12 & 13 SPDT Limit Switch (Includes Visual Position Indicator)
- Option 2S With Dual Honeywell Micro Switch NEMA 1, 2, 4, 6, 12 & 13 SPDT Limit Switches (Includes Visual Position Indicator)

### Ordering Data

- Figure Number (7125T-D, 7125T-U)
- Size
- Options and/or Accessories

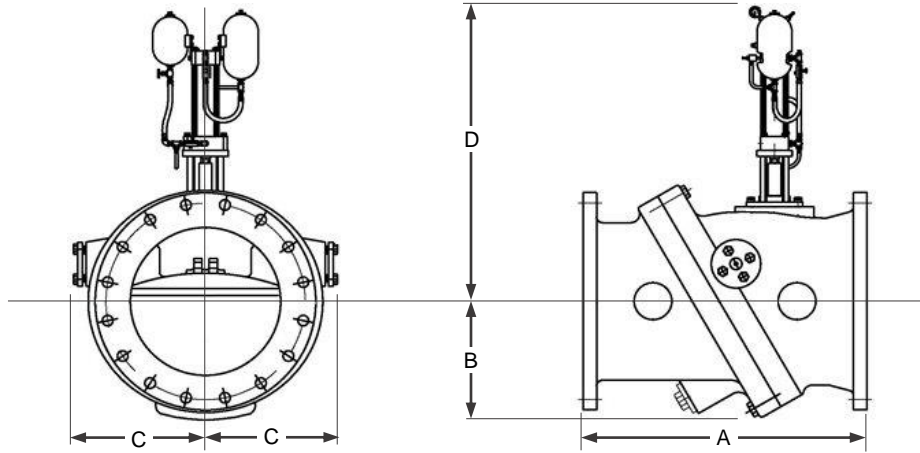
### Other Versions

- Plain – See Data Sheet 7125.01
- With Bottom Buffer – See Data Sheet 7125B.01

### Non-Shock Working Water Pressure at up to 150F (66C)

Figure Number	7125T-D	7125TB-U
Size	6" to 36"	6" to 36"
Flange	ANSI B16.1 Class 125	ANSI B16.1 Class 250
Max Working Pressure	150 PSI	250 PSI
Hydro Test	225 PSI	375 PSI

Data Sheet 7125T.01



### Installation Dimensions

SIZE	6"	8"	10"	12"	14"	16"	18"	20"	24"	30"	36"
A	15½	17½	24½	24	31	30	33	32	38	52	59½
B	5½	7¼	8¼	10	10¾	12⅝	13⅝	14¼	16½	22⅝	25
C	7	9½	9¾	12½	13	14¼	15¼	17	18¾	24	26½
WGT	CL125	285	385	550	800	1,050	1,450	1,850	2,225	3,130	5,750
	CL250	330	440	640	910	1,205	1,665	2,180	2,595	3,715	6,475

Dimensions in inches, weight in pounds and are approximate. Request certified drawings if critical.  
Dimension A same for Class 125 and 250. Class 250 supplied flat face.

