

Figure B517 ECO-Centric® Flanged Eccentric Plug Valves for In Plant or Exposed Service

Description

The VAG/GA Industries Figure B517 ECO-centric Plug Valve is a rugged, field-proven valve that will provide many decades of trouble-free service. Its flow efficient round port provides lower head loss, higher capacity and better solids handling ability than a standard rectangular port plug valve. In addition, the epoxy coated ductile iron body and cover provide superior strength and long term corrosion resistance while the spherically seating rubber coated plug provides drop tight shutoff in both directions.

Figure B517 exposed service eccentric plug valves are available with a 2" operating nut for quarter turn wrench operation (optional chain lever) or a worm gear with handwheel (optional chainwheel) or 2" nut.

Standard Features

- Internal and external epoxy coated, high strength ductile iron body and cover
- Flow efficient round port, averages 50% less head loss than standard rectangular port plug valves
- Bi-directional zero leakage seating up to full rated pressure
- Shaft packing adjustable and replaceable without removing the actuator
- Upper and lower grit excluders for extended bearing life
- Type 316 stainless steel external fasteners, including packing studs and nuts

Standard Materials

- Body and Cover Ductile Iron, ASTM A536 Grade 65-45-12
- Body Seat Weld Overlaid 95% Pure Nickel
- Plug Coating Buna-N Rubber
- Shaft Bearings Stainless Steel, Type 316, Self Lubricating
- External Fasteners Type 316 Stainless Steel

Corrosion Protection

- Standard: Internal and External PPG/Amerlok 400 2-Part Epoxy, Minimum 6 mil DFT

Non-Shock Working Water Pressure at up to 180F (82C)			
Figure Number	B517		
Connections	ANSI Class 125 Flanged		
Operation	Lever/Wrench Operated	Worm Gear with Handwheel or 2" Nut	
Size	3" to 8"	3" to 12"	14" to 24"
Max Working Pressure	175 PSI		150 PSI
Hydro Test	265 PSI		225 PSI



Approvals & Certifications

- Fully complies with AWWA Standard C512

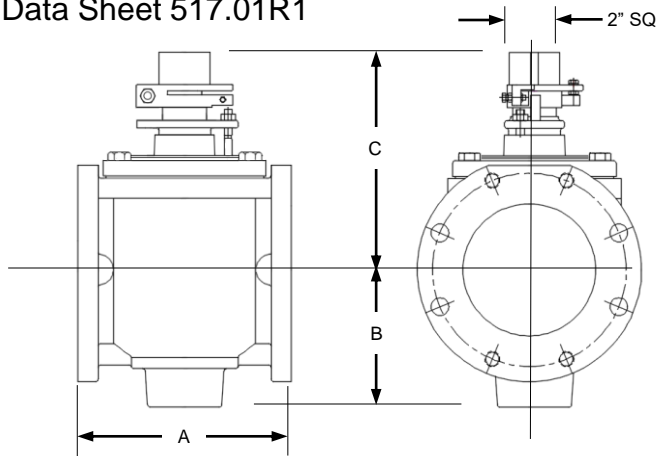
Options and Accessories

- Option VS Vacuum Service – Suitable for Pro-Cav Pump Suction or Vacuum Sewer Service
- Option CL With Chain Lever – Facilitates Operation of Overhead Direct Nut Valves
- Option CW – With Chainwheel – Facilitates Operation of Overhead Worm Gear Operated Valves

Ordering Data

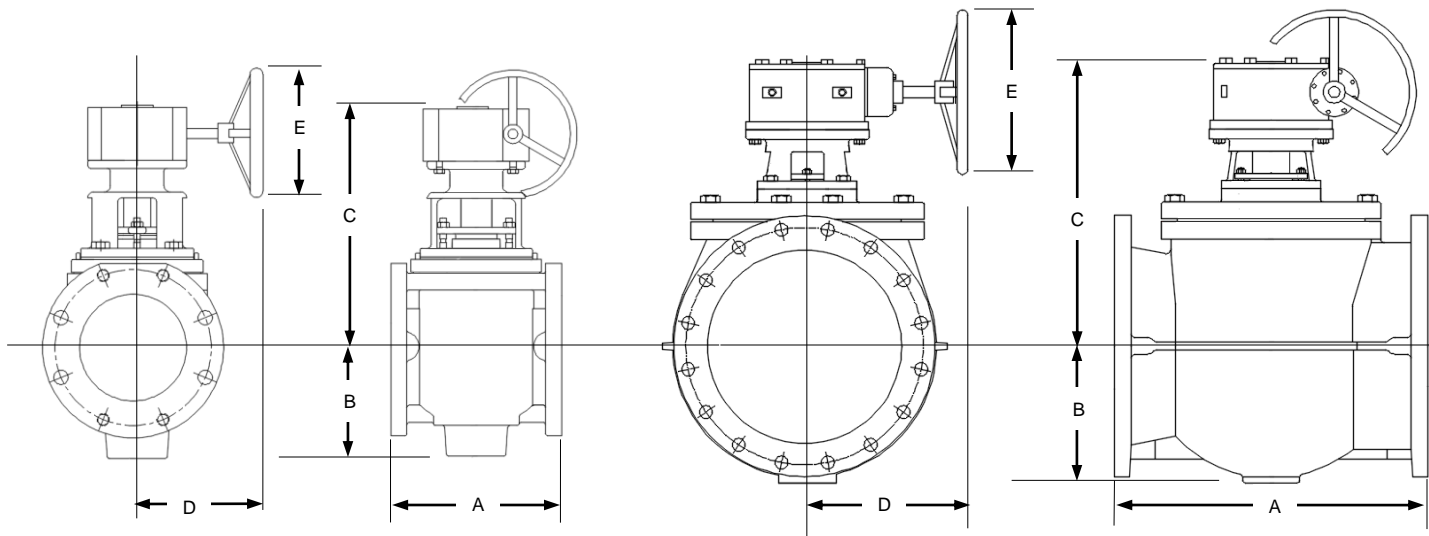
- Figure Number B517
- Size
- Connection (Class 125 flanged)

Data Sheet 517.01R1



Direct Nut Installation Dimensions

SIZE	3"	4"	6"	8"
A	8	9	10½	11½
B	4½	6	6¾	9½
C	8⅞	10	10¾	14
WGT	46	83	125	229



Sizes 3" to 12"

Sizes 14" to 24"

Worm Gear Installation Dimensions

SIZE	3"	4"	6"	8"	10"	12"	14"	16"	18"	20"	24"
A	8	9	10½	11½	13	14	17	17¾	30	36	42
B	4½	6	6¾	9½	10½	11	11	13	13¼	15¾	15¾
C	10½	11¼	12½	16½	18½	19¾	22¼	24	24	26	26
D	9¼	9¼	9¼	10½	10½	10½	19¾	19¾	19¾	19¾	19¾
E	9	12	12	12	12	12	20	20	20	20	20
WGT	73	115	155	304	394	487	757	952	1254	2004	2202

- Worm gear actuator can be rotated in 90-degree increments about valve centerline
- Dimensions in inches and weight in pounds and are approximate. Request certified drawings if critical.

Flow Coefficients

SIZE	3"	4"	6"	8"	10"	12"	14"	16"	18"	20"	24"
C _v	569	982	1997	3371	4870	7643	8220	11300	12400	17500	19500
K	0.24	0.24	0.30	0.32	0.38	0.31	0.39	0.35	0.47	0.36	0.68