

# Figure B517 ECO-Centric®

## Eccentric Plug Valves for Buried Service

### Mechanical Joint or Flanged



Data Sheet 517.02R1

#### Description

The VAG/GA Industries Figure B517 ECO-centric Plug Valve is a rugged, field-proven valve that will provide many decades of trouble-free service. Its flow efficient round port provides lower head loss, higher capacity and better solids handling ability than a standard rectangular port plug valve. In addition, the epoxy coated ductile iron body and cover provide superior strength and long term corrosion resistance while the spherically seating rubber coated plug provides drop tight shutoff in both directions.

Figure B517 buried service eccentric plug valves are available with a 2" operating nut for quarter turn wrench operation or a grease packed and sealed buried service worm gear operator with 2" nut.



#### Standard Features

- Internal and external epoxy coated, high strength ductile iron body and cover
- Flow efficient round port, averages 50% less head loss than standard rectangular port plug valves
- Bi-directional zero leakage seating up to full rated pressure
- Upper and lower grit excluders for extended bearing life
- Type 316 stainless steel external fasteners, including packing studs and nuts

#### Standard Materials

- Body and Cover Ductile Iron, ASTM A536 Grade 65-45-12
- Body Seat Weld Overlaid 95% Pure Nickel
- Plug Coating Buna-N Rubber
- Shaft Bearings Stainless Steel, Type 316, Self Lubricating
- External Fasteners Type 316 Stainless Steel

#### Approvals & Certifications

- Fully complies with AWWA Standard C512

#### Ordering Data

- Figure Number B517
- Size
- Connection (Mechanical Joint or Class 125 flanged)

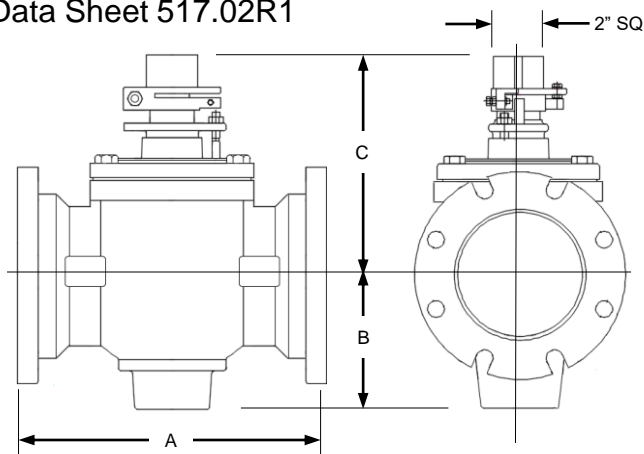
#### Corrosion Protection

- Standard: Internal and External PPG/Amerlok 400 2-Part Epoxy, Minimum 6 mil DFT

Non-Shock Working Water Pressure up to 180F (82C)						
Figure Number	B517					
Connections	ANSI A21.1 Mechanical Joint			ANSI Class 125 Flanged		
Operation	Lever/Wrench Operated	Buried Service Worm Gear with 2" Nut		Lever/Wrench Operated	Buried Service Worm Gear with 2" Nut	
Size	3" to 8"	3" to 12"	14" to 24"	3" to 8"	3" to 12"	14" to 24"
Max Working Pressure	175 PSI		150 PSI	175 PSI		150 PSI
Hydro Test	263 PSI		225 PSI	263 PSI		225 PSI

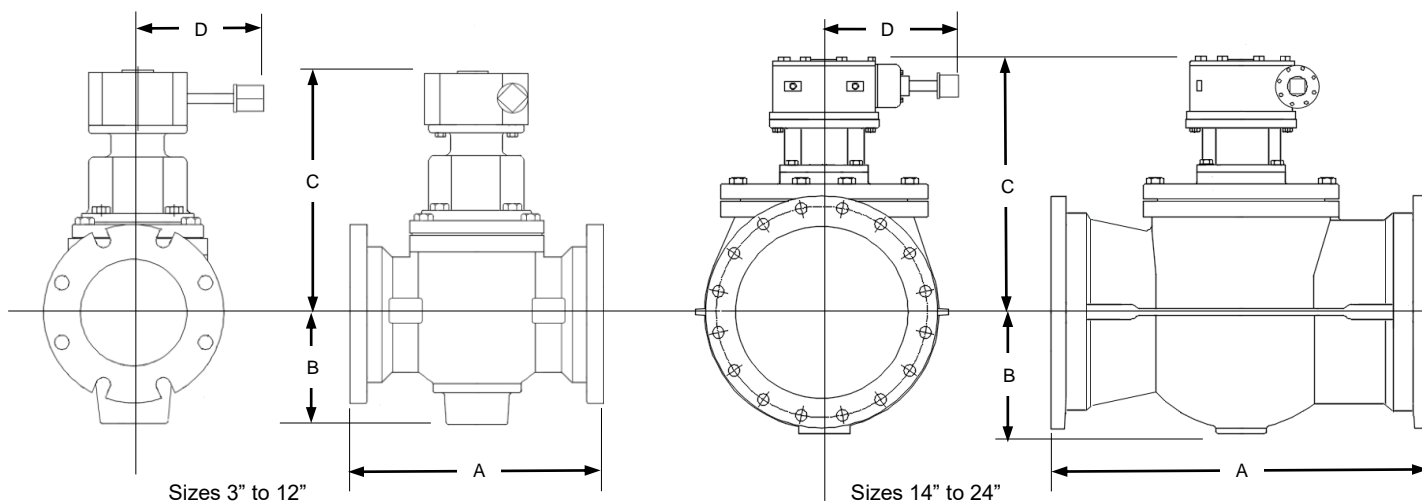


Data Sheet 517.02R1



#### Direct Nut Installation Dimensions

SIZE		3"	4"	6"	8"
A	MJ	11½	14¼	15¾	17¾
	FLG	8	9	10½	11½
B		4½	6	6¾	9½
C		8¾	10	10¾	14
WGT	MJ	56	90	136	247
	FLG	46	83	125	229



#### Worm Gear Installation Dimensions

SIZE		3"	4"	6"	8"	10"	12"	14"	16"	18"	20"	24"
A	MJ	11½	14¼	15¾	17¾	19¾	20¾	25	29	38	44	48
	FLG	8	9	10½	11½	13	14	17	17¾	30	36	42
B		4½	6	6¾	9½	10½	11	10⅞	13	13¾	15¾	16¾
C		11¼	13½	14¾	18¾	20¾	22¼	25½	27¾	27¾	29¼	29¼
D		8¾	8¾	8¾	9⅞	9⅞	9⅞	16⅞	16⅞	16⅞	16⅞	16⅞
WGT	MJ	83	122	166	322	451	524	827	1106	1417	2095	2220
	FLG	73	115	155	304	394	487	757	952	1254	2004	2202

- Worm gear actuator can be rotated in 90-degree increments about valve centerline
- Dimensions in inches, weight in pounds and are approximate, if critical request certified drawings

#### Flow Coefficients

SIZE	3"	4"	6"	8"	10"	12"	14"	16"	18"	20"	24"
C <sub>v</sub>	569	982	1997	3371	4870	7643	8220	11300	12400	17500	19500
K	0.24	0.24	0.30	0.32	0.38	0.31	0.39	0.35	0.47	0.36	0.68