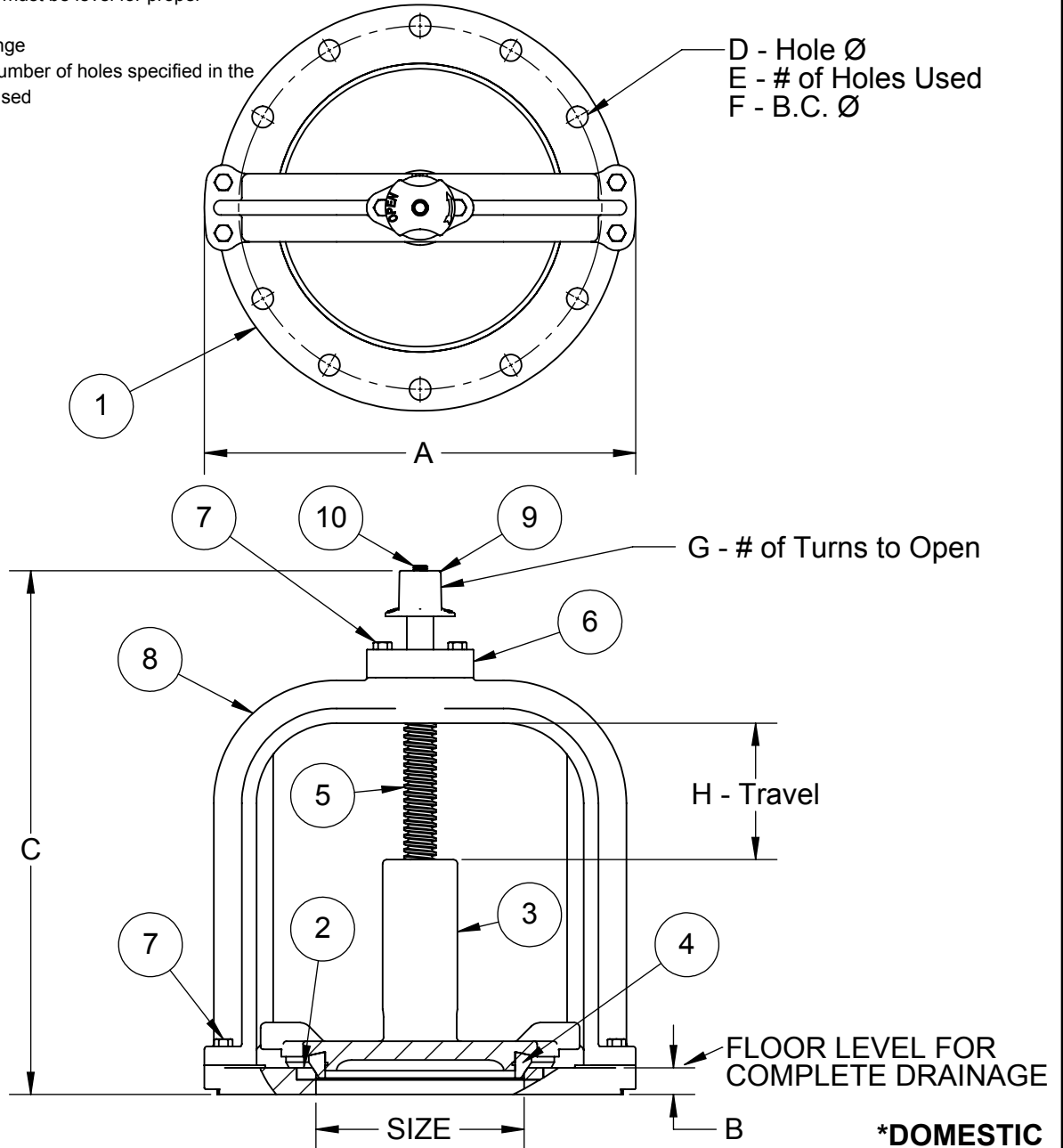


DIMENSIONS ARE IN INCHES				
SIZE	3	4	6	8
A	10 1/8	10 1/8	12 5/16	15
B	15/16	15/16	1	1 1/8
C	14 11/16	14 11/16	16 3/8	19 5/16
D	3/4	3/4	7/8	7/8
E	4	6	6	8
F	6	7 1/2	9 1/2	11 3/4
G	5	5	9	13
H	1 11/16	1 11/16	3	4 5/16

ITEM	DESCRIPTION	QTY.	MAT'L
1	Frame	1	CI - A126
2	Seat Ring	1	BRZ
3	Plug	1	CI - A126
4	Resilient Seat	1	BUNA-N
5	Stem	1	BRZ
6	Stem Cap	1	CI - A126
7	HHCS	6	STEEL
8	Yoke	1	CI - A126
9	2" Wrench Nut	1	CI - A126
10	Jam Nut	1	STEEL

Notes:

- Bubble tight resilient-to-bronze seating
- Open left
- 2 part epoxy coating
- Valve Flanges must be level for proper operation
- 125# ANSI flange
 - Only the number of holes specified in the chart are used



<p>TROY VALVE MANUFACTURING TRUST.</p>	www.TroyValve.com	TITLE: 3"-8" Mud Valve Domestic		DWN. CAC
	PHONE: 1-570-297-2125	MAT'L: Cast Iron	PART NO:	PAGE:
	0CE-02 DO NOT SCALE DRAWING 2016	DATE: Aug 29, 2017	USA25600RB	