

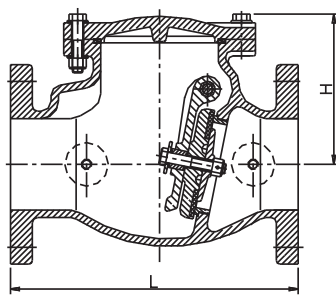
**AWWA C508
SWING
CHECK VALVE**

Model 8700
Resilient Seat - 300 psi - Flanged Ends

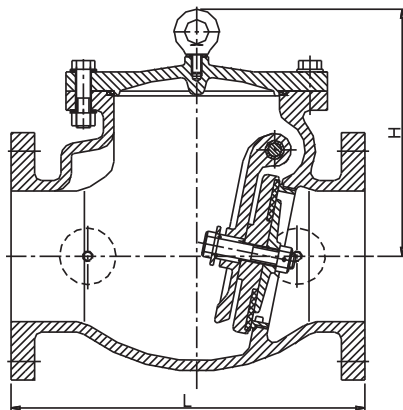


MATERIAL LIST

DESCRIPTION	MATERIAL	ASTM SPECIFICATION
Body	Ductile Iron	ASTM, A536 65-45-12
Cover	Ductile Iron	ASTM, A536 65-45-12
Gasket	EPDM	Commercial
Clapper Arm	Ductile Iron	ASTM, A536 65-45-12
Disc Ring	EPDM	Commercial
Disc	Ductile Iron	ASTM, A536 65-45-12
Retainer Washer	Bronze	ASTM, B62
Hinge Pin	Stainless Steel	AISI, 304
Plug Washer	PTFE	Commercial
Seat Ring	Bronze	ASTM, B62



Sizes 2" ~ 4"



Sizes 5" ~ 12"

DIMENSIONAL DATA

Nominal Size	Part No.	L	H
2"	8700-F-120	8	5
2-1/2"	8700-F-125	10	6
3"	8700-F-130	11	10
4"	8700-F-140	13	11
6"	8700-F-160	16	11
8"	8700-F-180	19.5	13
10"	8700-F-200	24.5	14
12"	8700-F-220	26	15

Dimensions in inches

Note: Design and materials subject to change without notice.

Description:

1. Flange drilling to ANSI 125/150. Metric PN10/PN16 drilling is available upon request.
2. Face to face dimensions conform to AWWA C508
3. Working Temperature:
-10°C to 120°C (14°F to 248°F) for EPDM
4. Maximum Working Pressure: 300 psi
5. Fusion Bonded Epoxy Coated, Interior and Exterior, AWWA C550.



WARNING: This product can expose you to chemicals including lead, which is known to the State of California to cause cancer and birth defects or other reproductive harm. For more information go to www.P65Warnings.ca.gov.



United Water Products
5355 Ramona Blvd., Jacksonville, FL 32205
TEL. 877-766-4459 FAX: 877-766-4458
Website: www.unitedwaterproducts.com